



SKIOLD DISC MILL SK5000



SKIOLD MAKES THE DIFFERENCE!

SKIOLD DISC MILL SK5000

Optimal feed structure for all animal groups

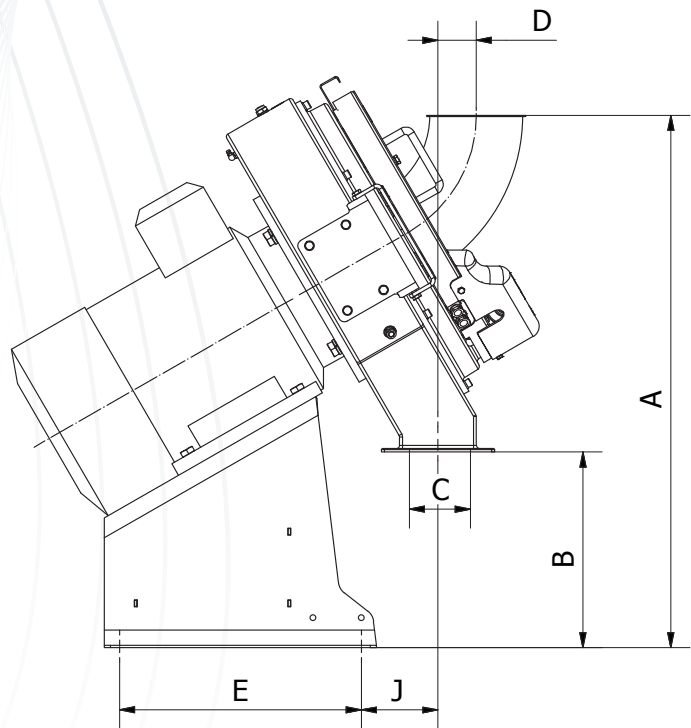
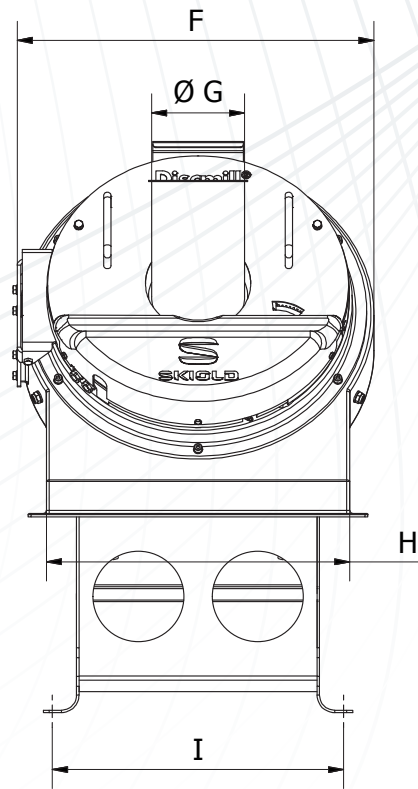
Exceptional durability on wearing parts

Low power consumption

Capacity up to 6,5 t/h

Quiet running

SKIOLD DISC MILL SK5000



MEASURE SKETCH

	A	B	C	D	E	F	G	H	I	J
15 kW	884	325	101	58	400	582	150	482	482	130
22 kW	894	335	101	58	400	582	150	482	482	126
30 kW	921	360	101	58	400	582	150	482	482	107

TECHNICAL SPECIFICATIONS - SK5000

Motor	15 - 22 - 30 kW 2800 rpm
Disc diameter (external)	450 mm
Distance regulation	Manual / Automatic
Noise level	Approx. 80 dB
Shipping weight	357 - 389 - 438 kg

CAPACITY

Cereal	15 kW	22 kW	30 kW
Barley	1700-3200	2400-4700	3000-6000
Wheat	1800-3500	2500-5000	3200-6500
Maize	1200-3500	1700-5000	2000-6500
Oats	1400-2300	2000-3200	2400-4500
Peas	1200-3500	1700-5000	2000-6500

In storage dry and well cleaned crops, max. kg/h.
The capacity depends on the grinding fineness

The disc mill may be used for grinding of ordinary cleaned small-grained seed crops in storage dry condition and with a maximum diameter of 8 mm. Wheat, barley etc. can furthermore be ground from air tight silo with up to 25% moisture content. However, please note that the capacity is reduced by approx. 5% for each percentage of moisture content higher than 15% - for example 18% moisture content reduces the capacity by $(18-15) \times 5 = 15\%$.

The disc mill is also suitable for granulation of clean pelleted feed products, and wood pellets, with a pellet diameter of up to \varnothing 12 mm.